



# Plotter Installation Sheet

Please complete, no orders can be processed until this sheet is signed and faxed back to Napco @ 201-438-5852 Attn: Bob Loppe

Customer: \_\_\_\_\_  
 Contact: \_\_\_\_\_  
 Address: \_\_\_\_\_  
 City \_\_\_\_\_  
 Key Operator \_\_\_\_\_  
 Email \_\_\_\_\_

Date \_\_\_\_\_  
 Phone: \_\_\_\_\_ Ext: \_\_\_\_\_  
 Fax \_\_\_\_\_  
 State \_\_\_\_\_ Zip \_\_\_\_\_  
 Requested Install Date \_\_\_\_\_

Plotter Type..

Xerox 88 \_\_\_\_\_  Xerox 721P  Oce TDS 300  Oce TDS 600  HP \_\_\_\_\_  
 Xerox 88 \_\_\_\_\_ DDS  Xerox 510DP  Oce TDS 400  Oce 93 \_\_\_\_\_  Oce 94 \_\_\_\_\_  other \_\_\_\_\_

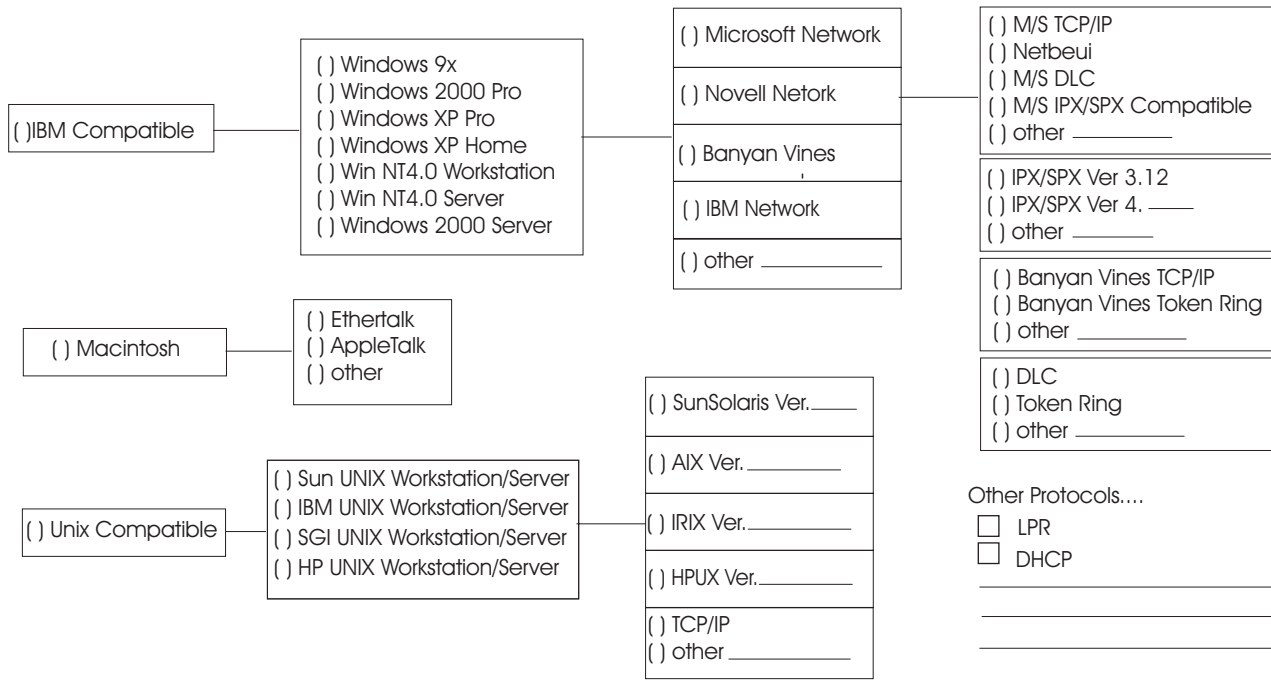
Xerox 60 \_\_\_\_\_ Please note if customer is getting the Access Controller it requires an additional network connection.  
 If Access Controller and Scanner with Scan to File Option is not ordered, a PC SCSI 3 card and cable is required for Scan to File.

If customer is choosing an 8830 DDS be sure to make note that if the customer is running any other protocols than TCP/IP that they will need two network cables available to the plotter, in order for SCAN-to-NET to work properly..

What type of connection do you need? If you are currently using a plotter please list manufacturer and type \_\_\_\_\_

Serial	Parallel	Ethernet	Token Ring
<input type="checkbox"/> 9 Pin <input type="checkbox"/> 25 Pin	Inkjet only <input type="checkbox"/> 25 ft <input type="checkbox"/> 10 ft	<input type="checkbox"/> 10B-T <input type="checkbox"/> 10B-T/100 <input type="checkbox"/> BNC <input type="checkbox"/> other _____ If network cable is needed indicate length _____ ft	<input type="checkbox"/> Token Ring External Card Only for Oce & Xerox plotters only

# of workstations to be configured \_\_\_\_\_ # of servers to be configured \_\_\_\_\_ Software used & versions \_\_\_\_\_



Network Speed  10/100 mbs  10 mbs  100 mbs  
 Connectivity  Routers  Switches  Hubs  ISDN  T1 Line  DSL Line

Do you want Napco to install the plotter on your network or stand alone PC ?  YES  NO

If yes, Xerox and Oce networking costs are \$500 for half day and \$895 for full day.

HP is \$150 per hour, there is a 2 hour minimum for networking or configuration.

Please Ask for an Estimate.

Please include any additional information about your Local or Wide Area Network..

Additional Information \_\_\_\_\_

Customer Signature: \_\_\_\_\_

Date: \_\_\_\_\_